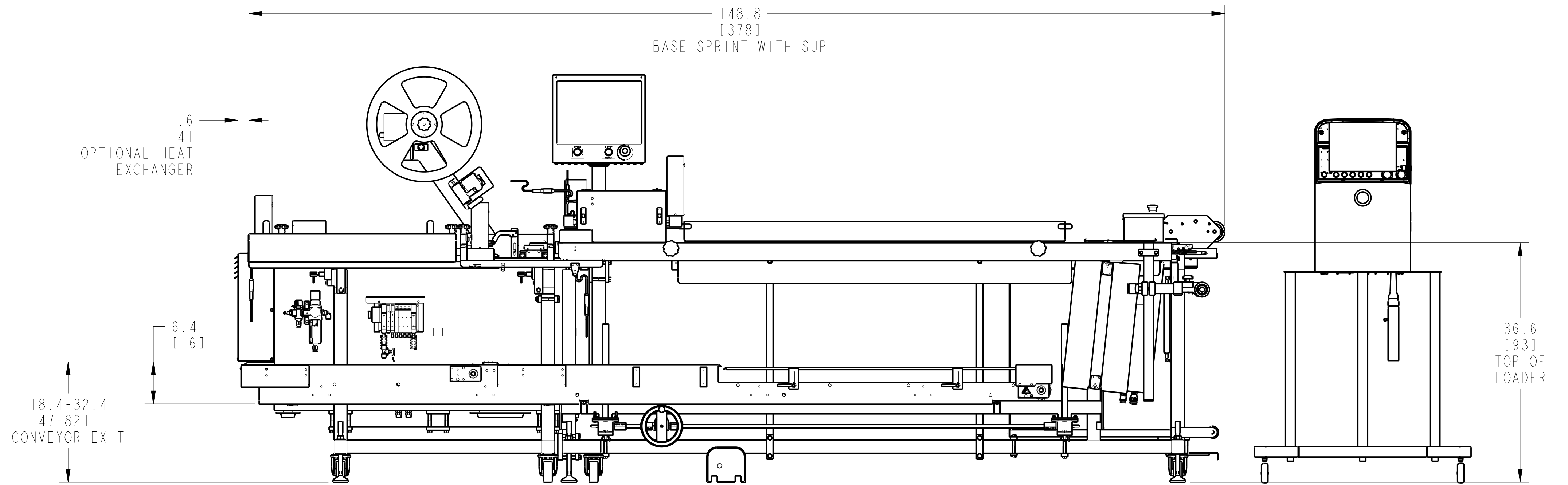
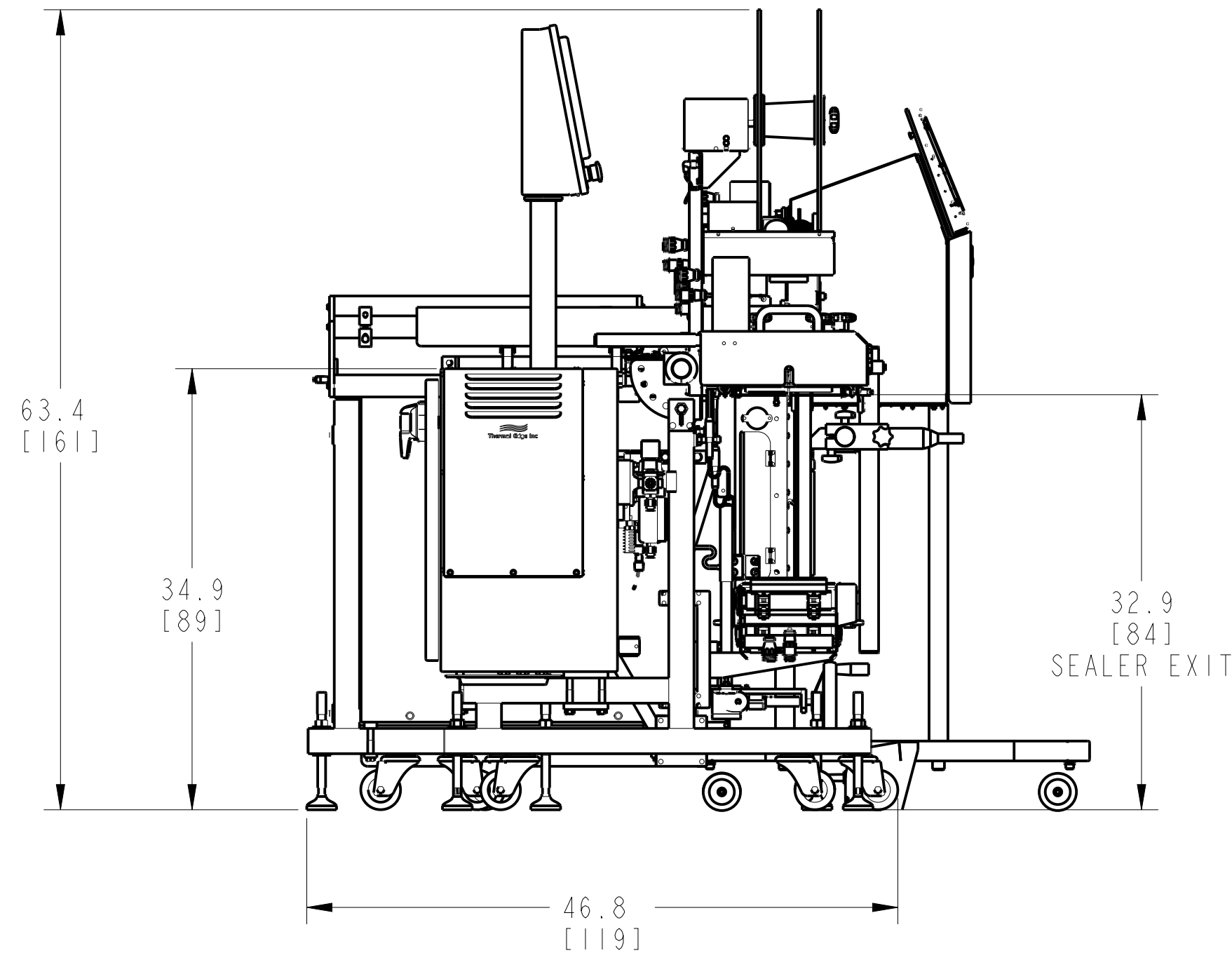
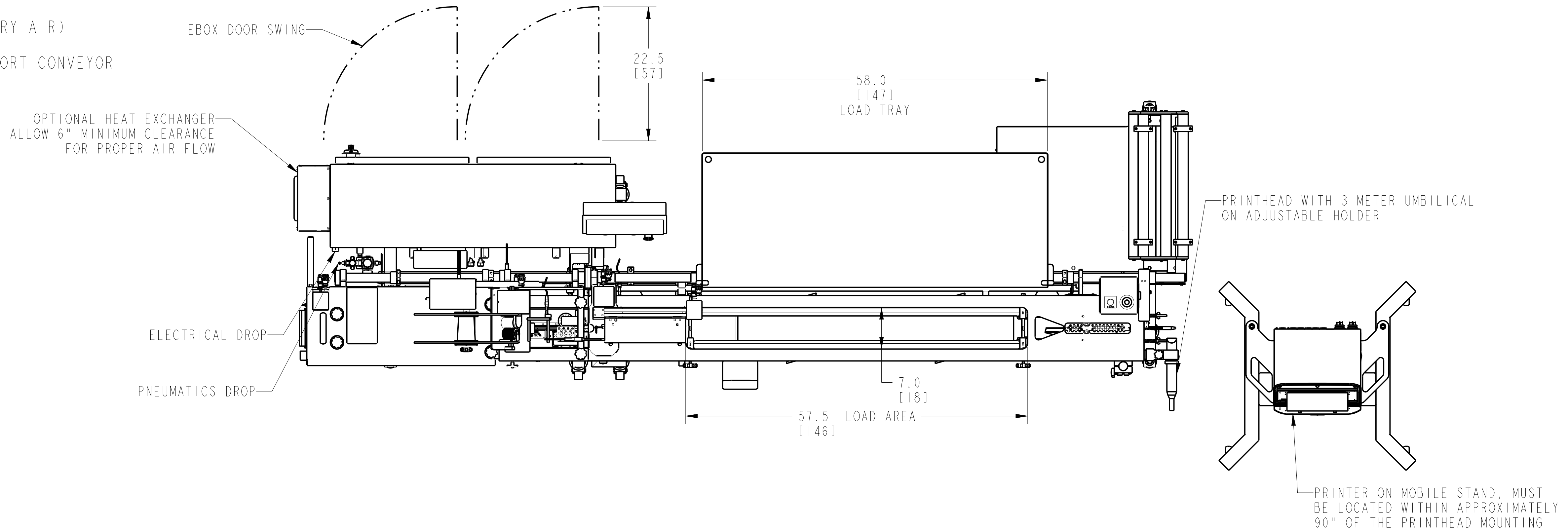


**TECHNICAL SPECIFICATIONS, BAGGER:**

- WEIGHT: 1184 lbs [537 kg]
- ELECTRICAL: 100/115/200/230 VAC @ 50/60 Hz
- AIR: 1 CFM @ 80 PSI [28 litre/min @ .55 MPA] (CLEAN, DRY AIR)
- PRODUCT PASS THROUGH: 6" [15,2 cm]
- PRODUCT WEIGHT CAPACITY: UP TO 15 lbs [6,8 kg] W/ SUPPORT CONVEYOR

**PRINTER:**  
 VIDEOJET 1860 INDUSTRIAL INKJET PRINTER  
 WITH UNIVERSAL HIGH MOBILITY STAND AND WASH STATION  
 PLEASE SEE WWW.VIDEOJET.COM FOR DETAILS



Fabricated & Documented to be RoHS Compliant

INCH [CM]

FINISH	NONE
MATERIAL	N/A
MACHINE SURFACES TO BE NO GREATER THAN 125 13.21 ✓ UNLESS OTHERWISE NOTED PART MUST BE FREE OF BURRS AND SHARP EDGES	
TOLERANCE	INCHES mm
1 PLACE DIMS	±.1 ±2.5
2 PLACE DIMS	±.02 ±0.51
3 PLACE DIMS	±.005 ±0.10
ANGLES	± 1/2°
NOTICE: THIS DOCUMENT CONTAINS PROPRIETARY INFORMATION AND IT SHALL NOT BE USED OR REPRODUCED OR ITS CONTENT DISCLOSED, IN WHOLE OR PART, WITHOUT THE PRIOR WRITTEN CONSENT OF AUTOMATED PACKAGING SYSTEMS INC.	
INCH [MM]	THIRD ANGLE PROJECTION

A		CW	6-15-20	RELEASED	
REV	BY	DATE	ECN	DESCRIPTION	
<b>Automated PACKAGING SYSTEMS</b> 10175 PHILIPP PARKWAY - STREETSBORO, OH 44241					
DRAWING SIZE	SCALE	DRAWN BY	BOM REFERENCE NUMBER		
D	3/32	C. WEBER	N/A		
TITLE		DATE		DRAWING NO.	
FAS SPRINT 2009 W/ SUP, INKJET		6-15-20		SHEET 1 OF 1	
				FP275	A