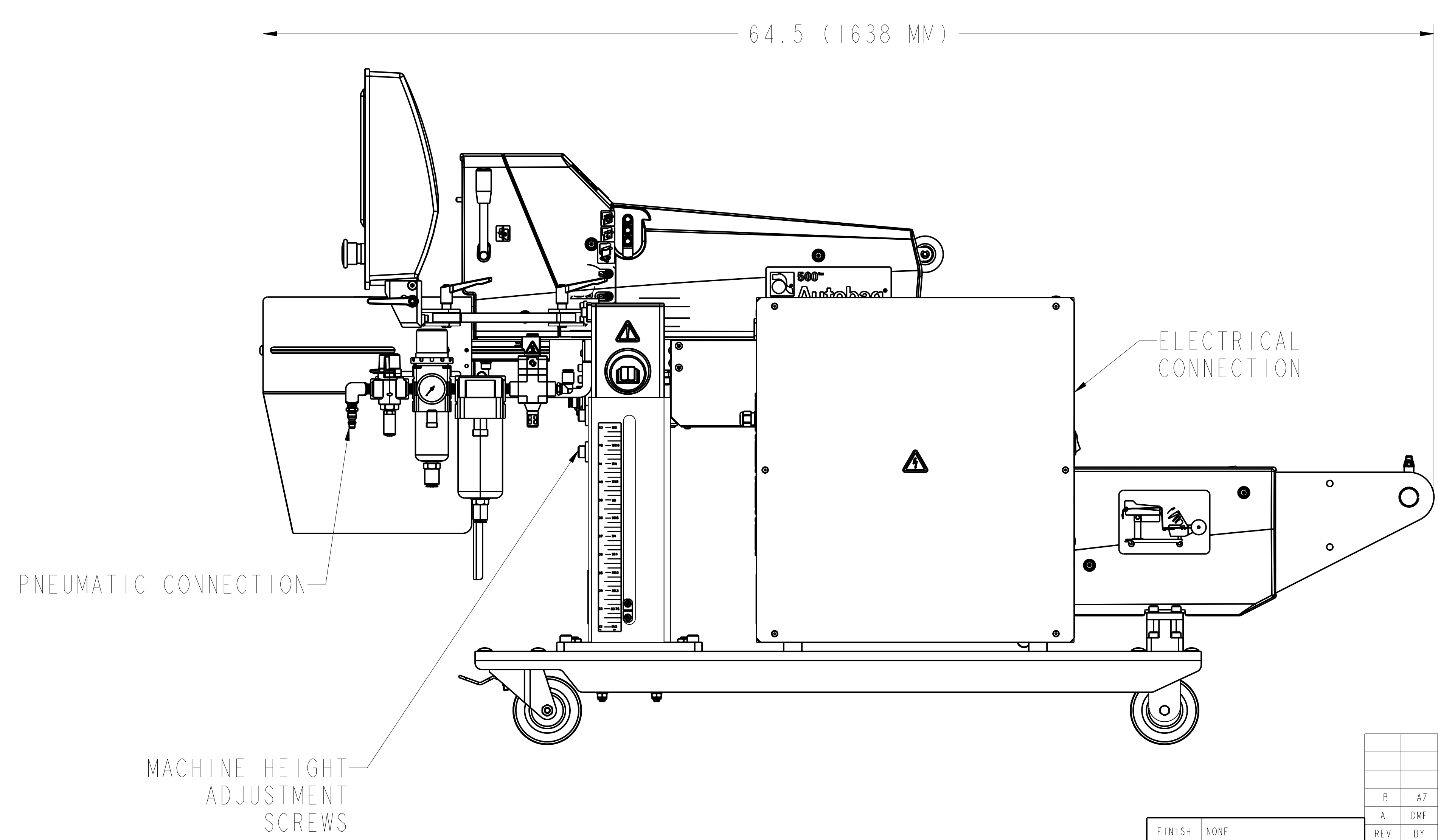
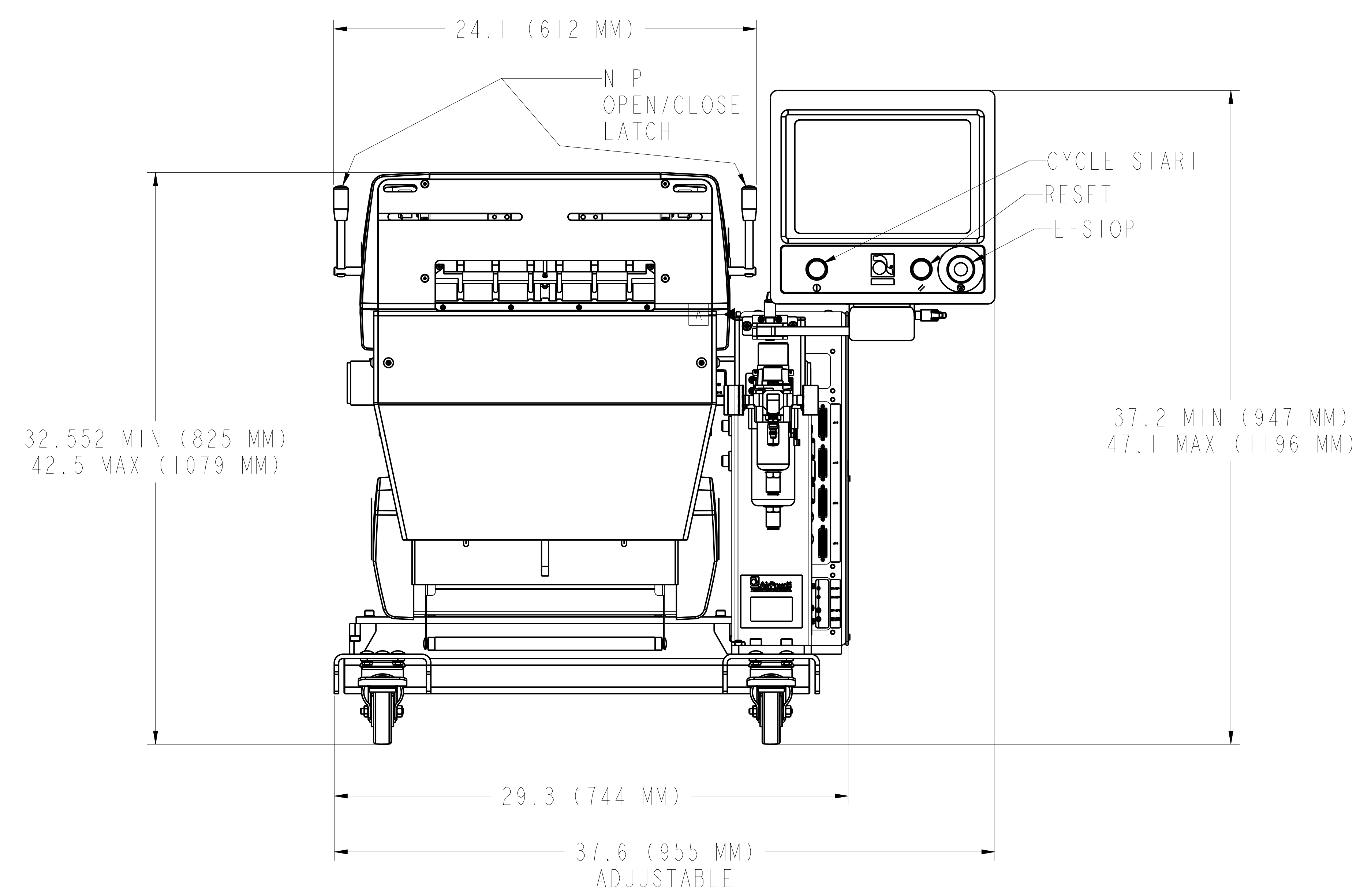
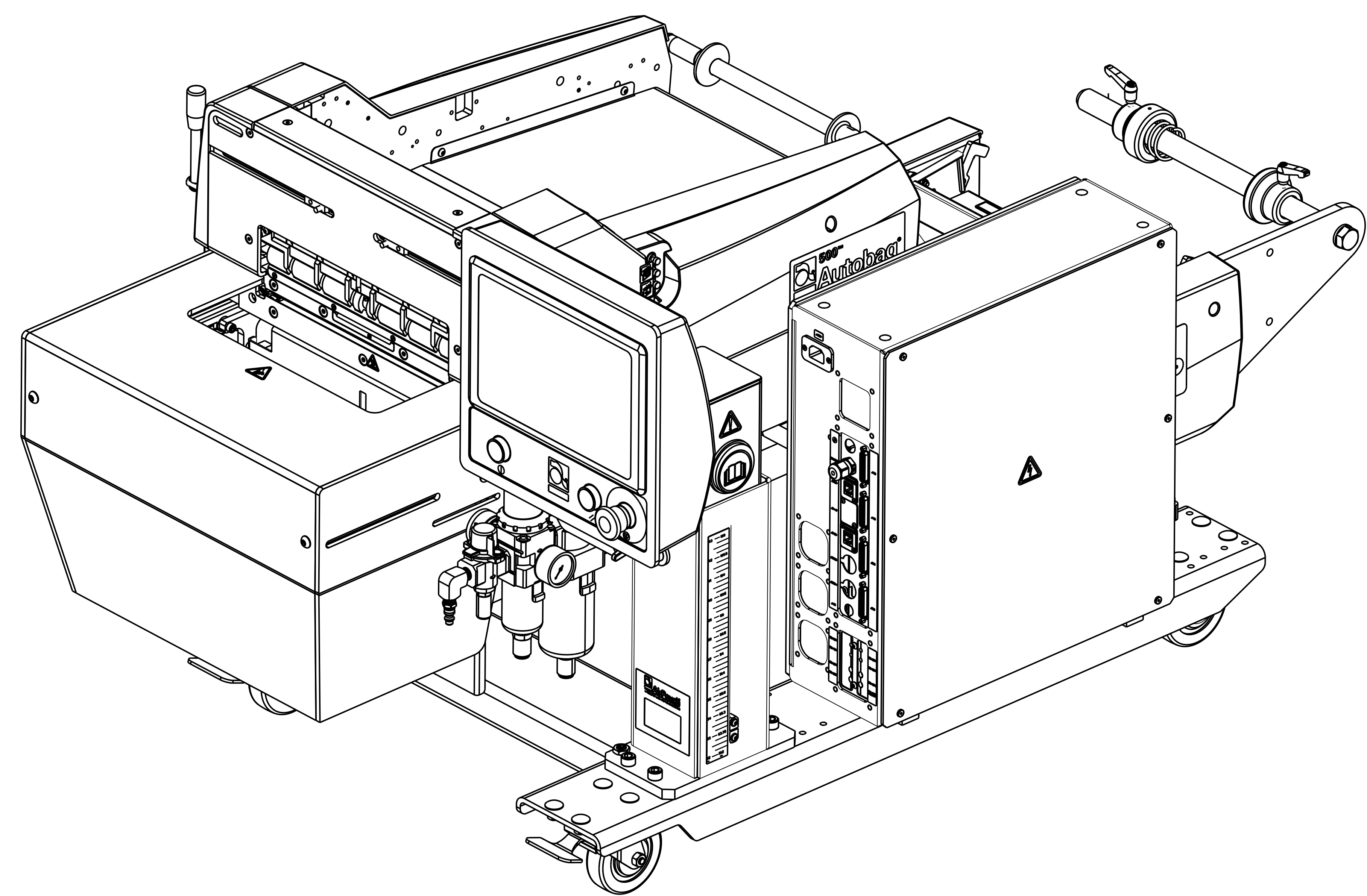
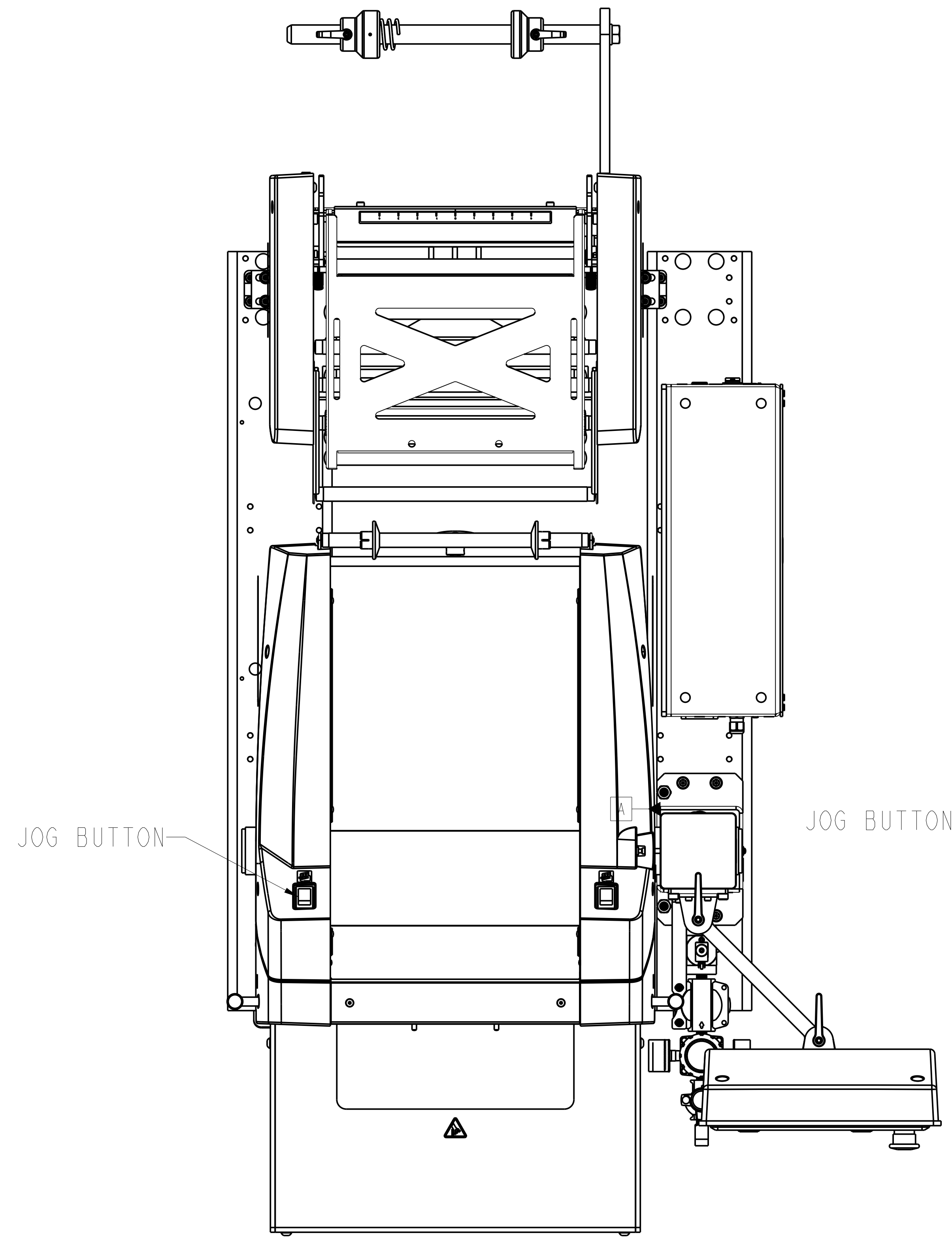


SPECIFICATIONS	
WEIGHT	350 LBS (158.6 KG)
ELECTRICAL	UNIVERSAL INPUT, 100V TO 240V VAC, 50/60 Hz POWER CONSUMPTION: 1500W (VA) MAX
AIR FEED	5 CFM/80 PSI OF CLEAN, DRY AIR
PASS-THROUGH	UP TO 5 INCHES (127 MM)
BAG THICKNESS	1.09 - 4.0 MIL
BAG SIZES	WIDTH: 2 to 12 INCHES (51 TO 305 MM)/ LENGTH: 3 to 20 INCHES (76 TO 508 MM)
WEIGHT CAPACITY	UP TO 5 LBS (2.3 KG)(WITH LOAD SHELF)



Fabricated & Documented to be RoHS Compliant

FINISH	NONE
MATERIAL	SEE B/M
MACHINE SURFACES TO BE NO GREATER THAN 125 (3.2) ✓ PAIN MUST BE FREE OF BURRS AND SHARP EDGES	
TOLENCES	FRACTIONAL DECIMALS
3 PLACE DIM	± .015
2 PLACE DIM	± .005
1 PLACE DIM	± .002
FINISH	AS SHOWN

REV	BY	DATE	ECN	DESCRIPTION
B	AZ	1-23-20		METRIC DIMENSIONS
A	DMT	10-4-16	AB3	RELEASED

Automated PACKAGING SYSTEMS
10175 PHILIPP PARKWAY - STREETSDORO, OH 44241

DRAWING SIZE: SCALE: DRAWN BY: DATE: 10-4-16

NAME: DMT
TITLE: FOOTPRINT, AB 500
DRAWING NO.: SHEET 1 OF 1
REV. B

INCH: DIMS: THIRD ANGLE PROJECTION