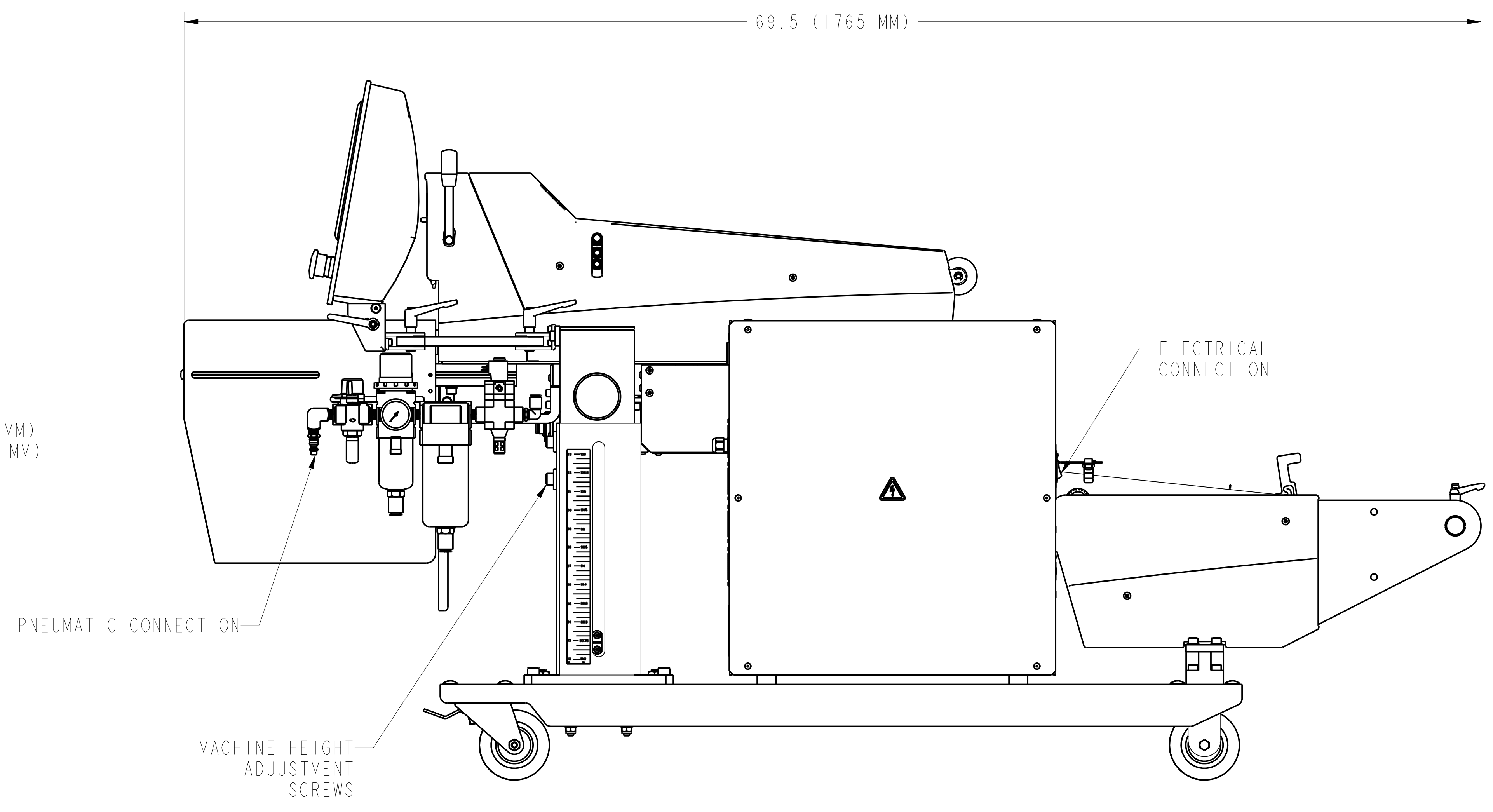
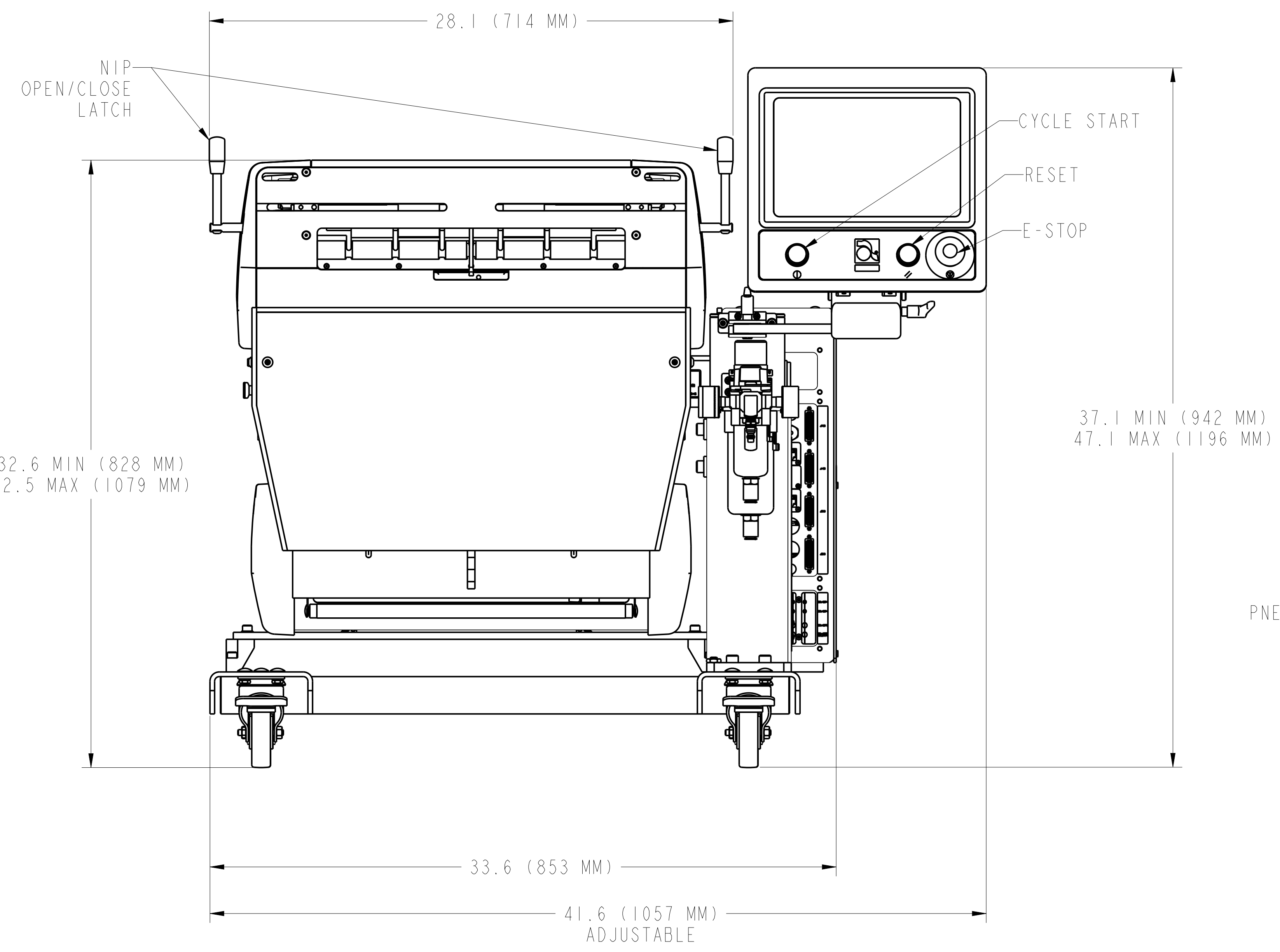
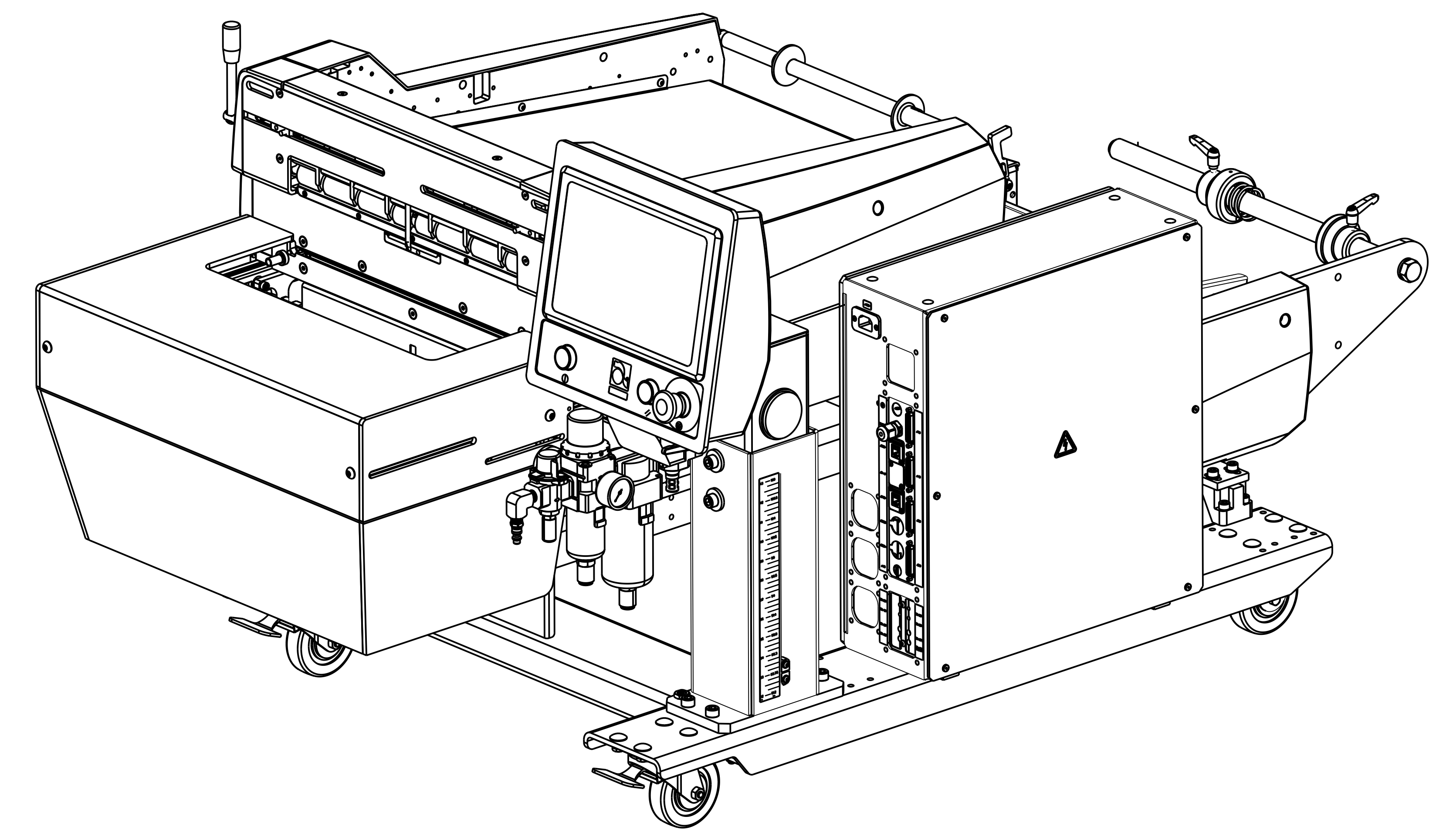
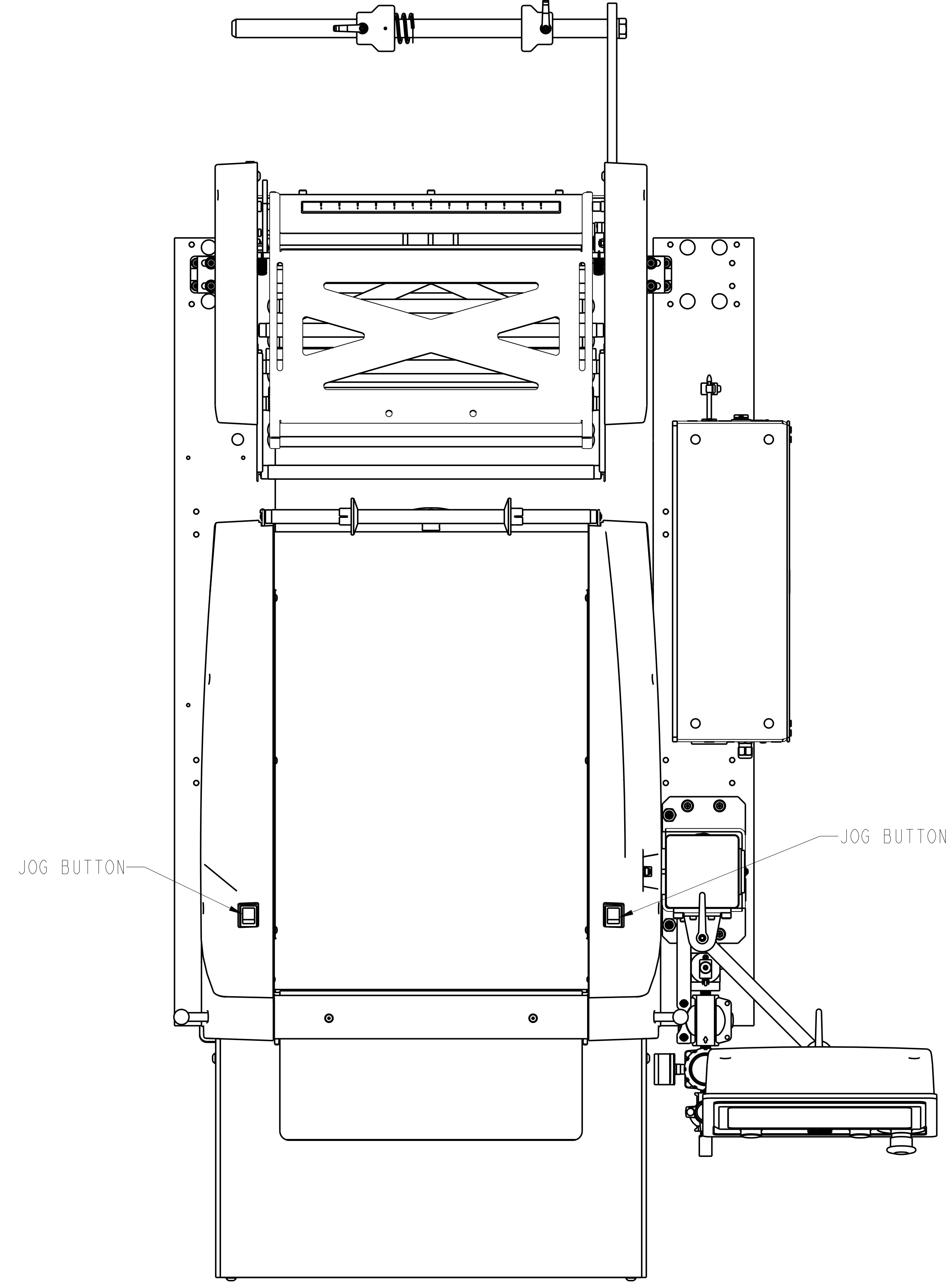


SPECIFICATIONS	
WEIGHT	410 LBS (186 KG)
ELECTRICAL	UNIVERSAL INPUT, 100V TO 240V VAC, 50/60 Hz POWER CONSUMPTION: 1800W (VA) MAX
AIR FEED	5 CFM/80 PSI OF CLEAN, DRY AIR
PASS-THROUGH	UP TO 6 INCHES (152 MM)
BAG THICKNESS	1.09 - 4.0 MIL
BAG SIZES	WIDTH: 4 to 16 INCHES (102 TO 406 MM)/ LENGTH: 5.5 to 27 INCHES (140 TO 686 MM)
WEIGHT CAPACITY	UP TO 5 LBS (2.3 KG)(WITH LOAD SHELF)



Fabricated & Documented to be RoHS Compliant

FINISH	NONE
MATERIAL	N/A
MACHINING SURFACES TO BE NO GREATER THAN 125 (3.2) ✓ PREFERRED SURFACE FINISH PART MUST BE FREE OF BURRS AND SHARP EDGES	
TOLERANCES	FRACTIONAL DECIMALS
1 PLACE DIMS	± .1
2 PLACE DIMS	± .05
3 PLACE DIMS	± .01
ANGLES	± .1°

REV	BY	DATE	ECN	RELEASED	DESCRIPTION
B	AZ	1-23-20			METRIC DIMENSIONS
A	DMF	8-1-19	1896	RELEASED	

Automated PACKAGING SYSTEMS
10175 PHILIPP PARKWAY - STREETSBORO, OH 44221

DRAWING SIZE	SCALE	DRAWN BY	DATE	REV	DESCRIPTION
E	1/4	DMF	8-1-19		

FOOTPRINT: AB600
SHEET 1 OF 1
REV. B
FP263