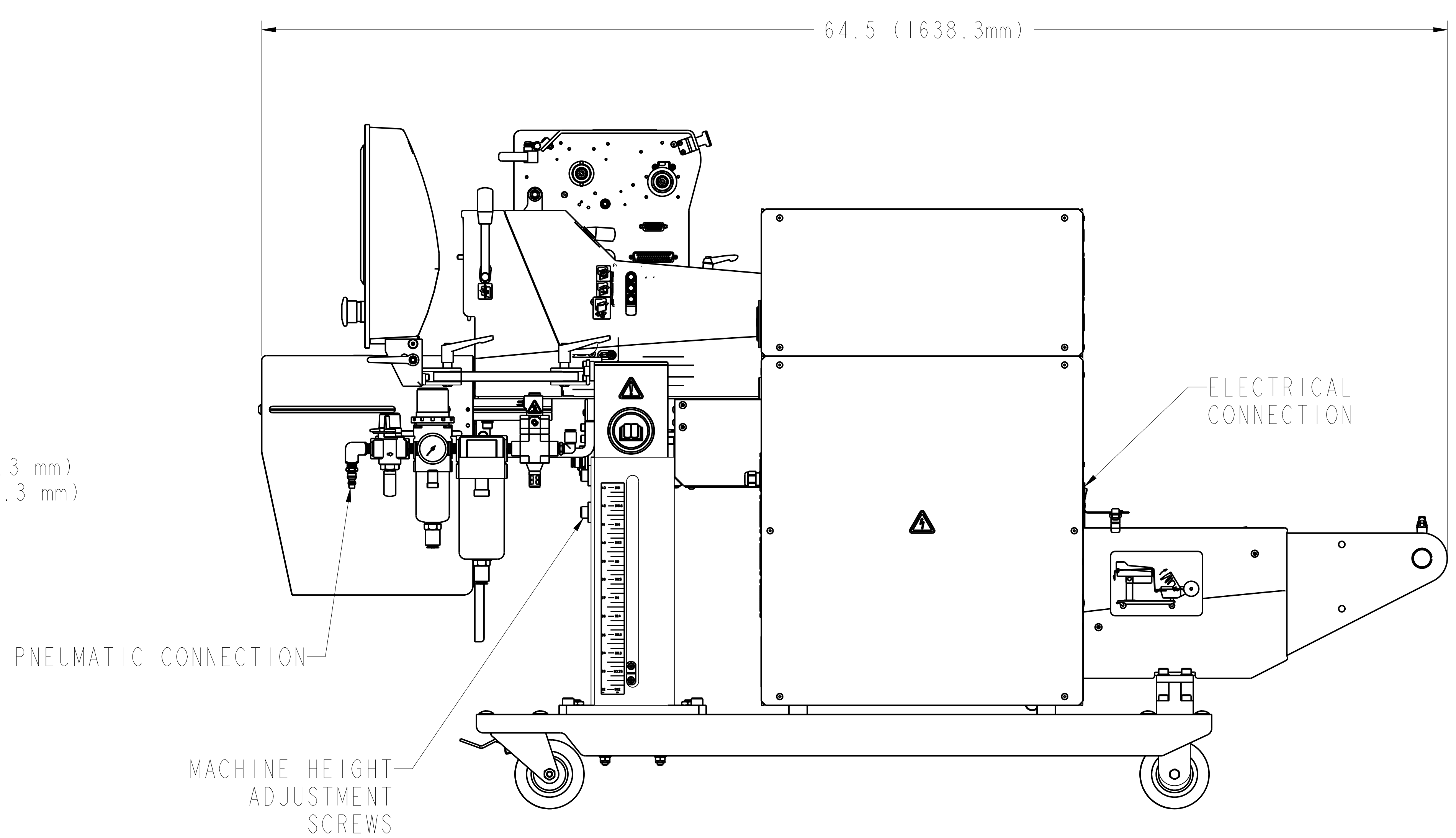
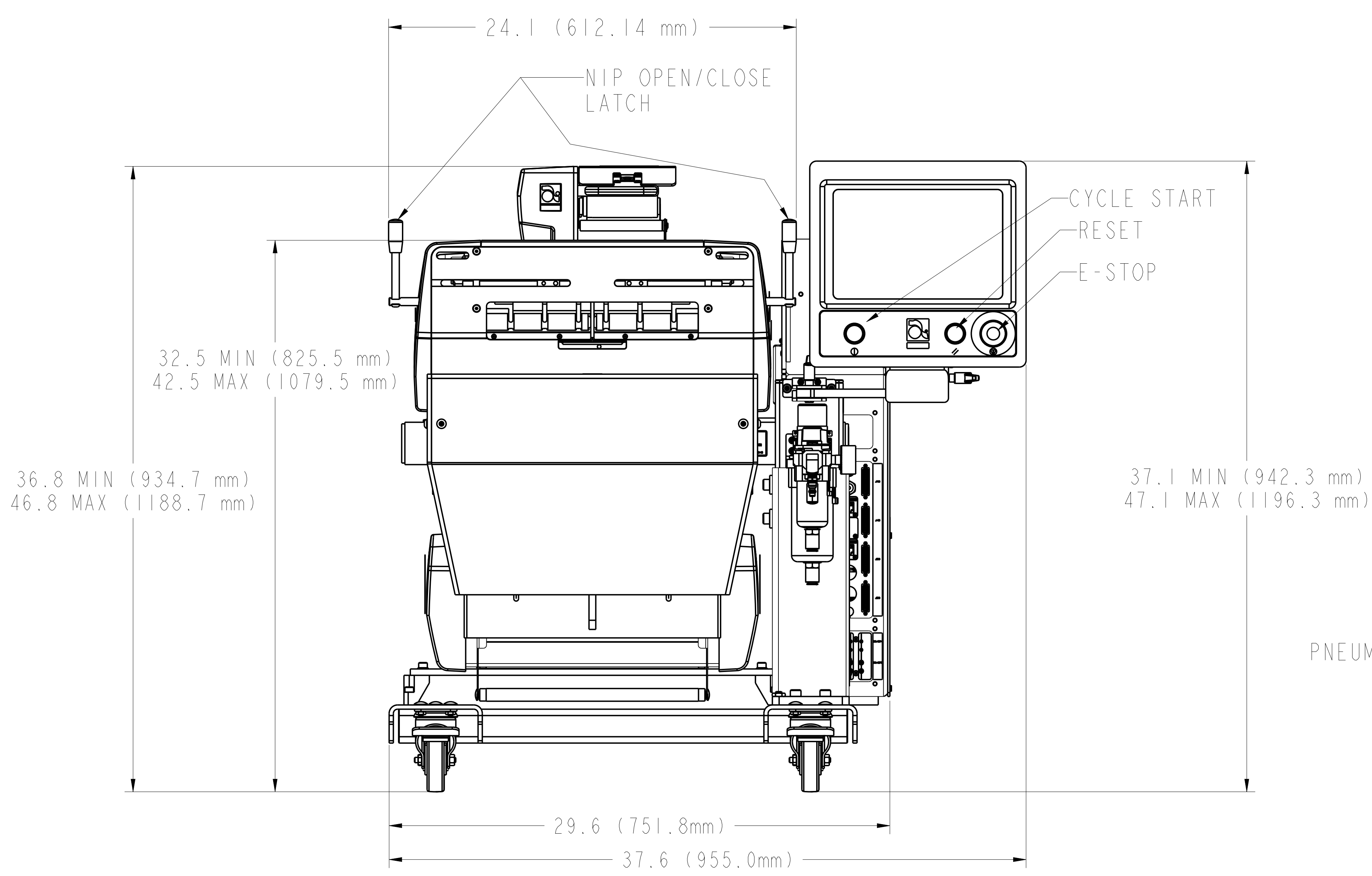
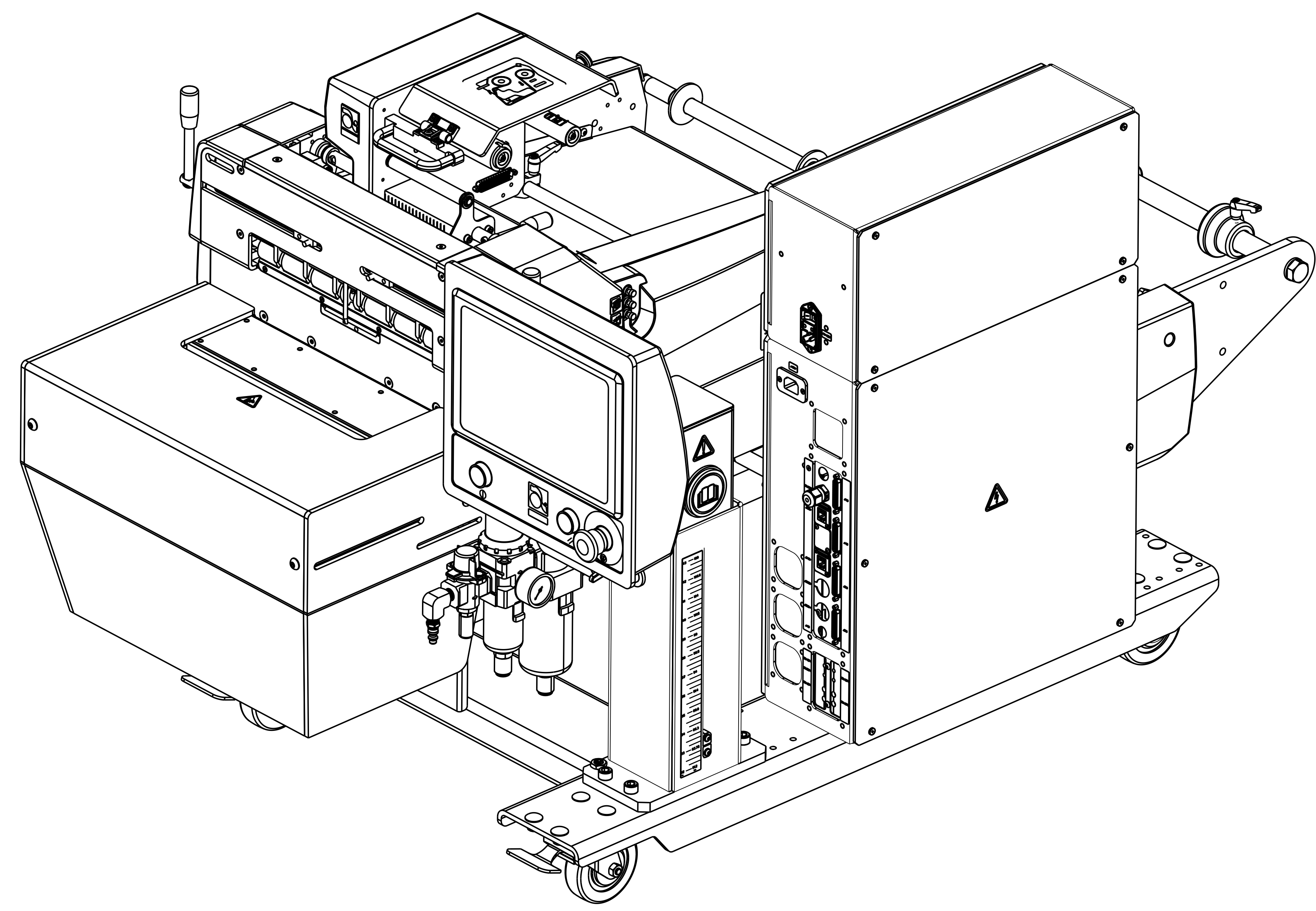
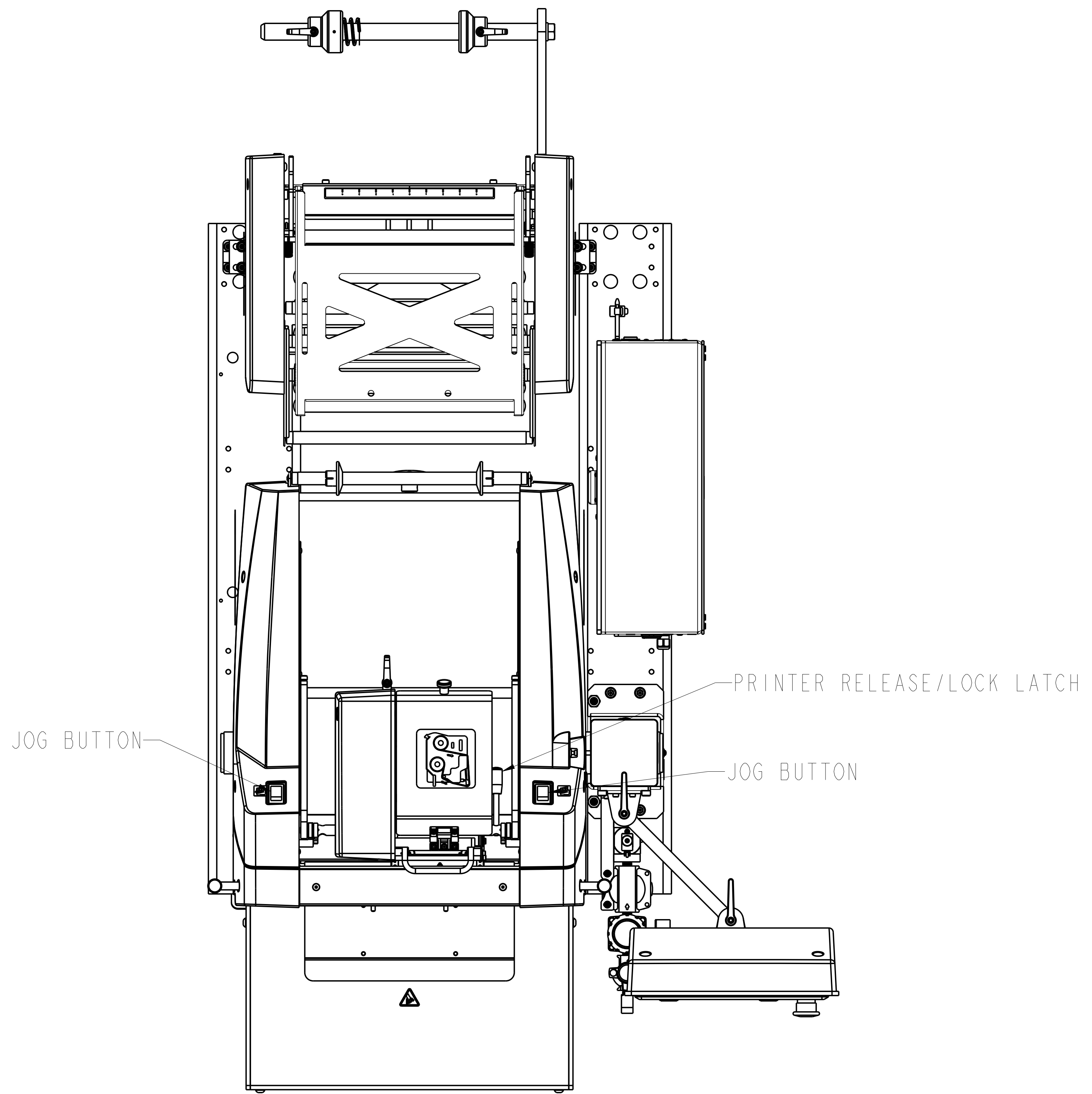


SPECIFICATIONS	
WEIGHT	420 LBS (191 KG)
ELECTRICAL	100-240VAC SINGLE PHASE, 50/60 Hz POWER CONSUMPTION: 600W MAX
AIR FEED	5 CFM/80 PSI OF CLEAN, DRY AIR
PASS-THROUGH	UP TO 5 INCHES (127 mm)
BAG THICKNESS	1.09 - 4.0 MIL
BAG SIZES	WIDTH: 2 to 12 INCHES (50.8 TO 304.8 mm) / LENGTH: 5 to 20 INCHES (127 TO 508 mm)
WEIGHT CAPACITY	UP TO 5 LBS (0.5 KG) (WITH LOAD SHELF)



Fabricated & Documented to be RoHS Compliant

REV	BY	DATE	ECN	DESCRIPTION
C	DMF	8-15-22		UPDATED WEIGHT AND CONSUMPTION SPECS
B	AJZ	1-22-20		EDIT TO METRIC
A	DMF	10-4-16	AB3	RELEASED

FINISH	NONE
MATERIAL	
NOTE:	MACHINE SURFACES TO BE NO GREATER THAN 125 (3.2) ✓ PNEUMATIC CONNECTIONS PARTS MUST BE FREE OF BURRS AND SHARP EDGES
TOLERANCES:	FRACTIONAL DECIMALS
1 PLACE DIMS	± .1
2 PLACE DIMS	± .05
3 PLACE DIMS	± .01
ANGLES	± .1°
FINISH	125
NOTE:	THIS DOCUMENT CONTAINS PROPRIETARY INFORMATION AND IS ONLY TO BE USED BY PERSONNEL OF THE SYSTEMS DIVISION OF AUTOMATED PACKAGING SYSTEMS INC.
UNLESS OTHERWISE SPECIFIED	THIRD ANGLE PROJECTION

DRAWING SIZE	E	SCALE	1/4	DRAWN BY	DMF	DATE	10-4-16	REV	BY	DATE	ECN	DESCRIPTION
10175 PHILIPP PARKWAY - STREETSDORO, OH 44241												
FOOTPRINT, AB 550												
SHEET 1 OF 1												